

公差表

CTIONS	DESCRIPTION	DATE	CHANGER
	新版本	2016-06-12	李国常

SPECIFICATIONS

Voltage rating: 600V AC, DC
 Current rating: 15A, AC, DC
 Withstanding Voltage: 5000V AC/minute
 Insulation resistance: 1000MΩ min
 Temperature range: -40℃~+105℃
 Contact resistance: 3.5MΩ max

HOUSING

Part No: H6351-NR
 Poles: 02-08
 Material: Nylon 66 UL94V-0

Part No	Dimensions (mm)	
	A	B
H6351-02	6.35	23.25
H6351-03	12.70	29.60
H6351-04	19.05	35.95
H6351-05	25.40	42.30
H6°	31.75	48.65
	44.45	61.35

KLT 深圳市康利通电子科技有限公司

成品规格图

TITLE				TOLERANCE	
CHECKED BY	DATE	SCALE	VER No	SIZE	
	2016-06-12	1:1	A	A4	
DRAWN BY	UNIT:mm				
李国常	PART No			H6351-NR	

B

C

D

E

F

1

4

REV	ECN NO	LOCATIONS	DESCRIPTION	DATE	CHANGER
A			新版本	2016-06-12	李国常

公差表


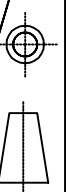
■ SPECIFICATIONS

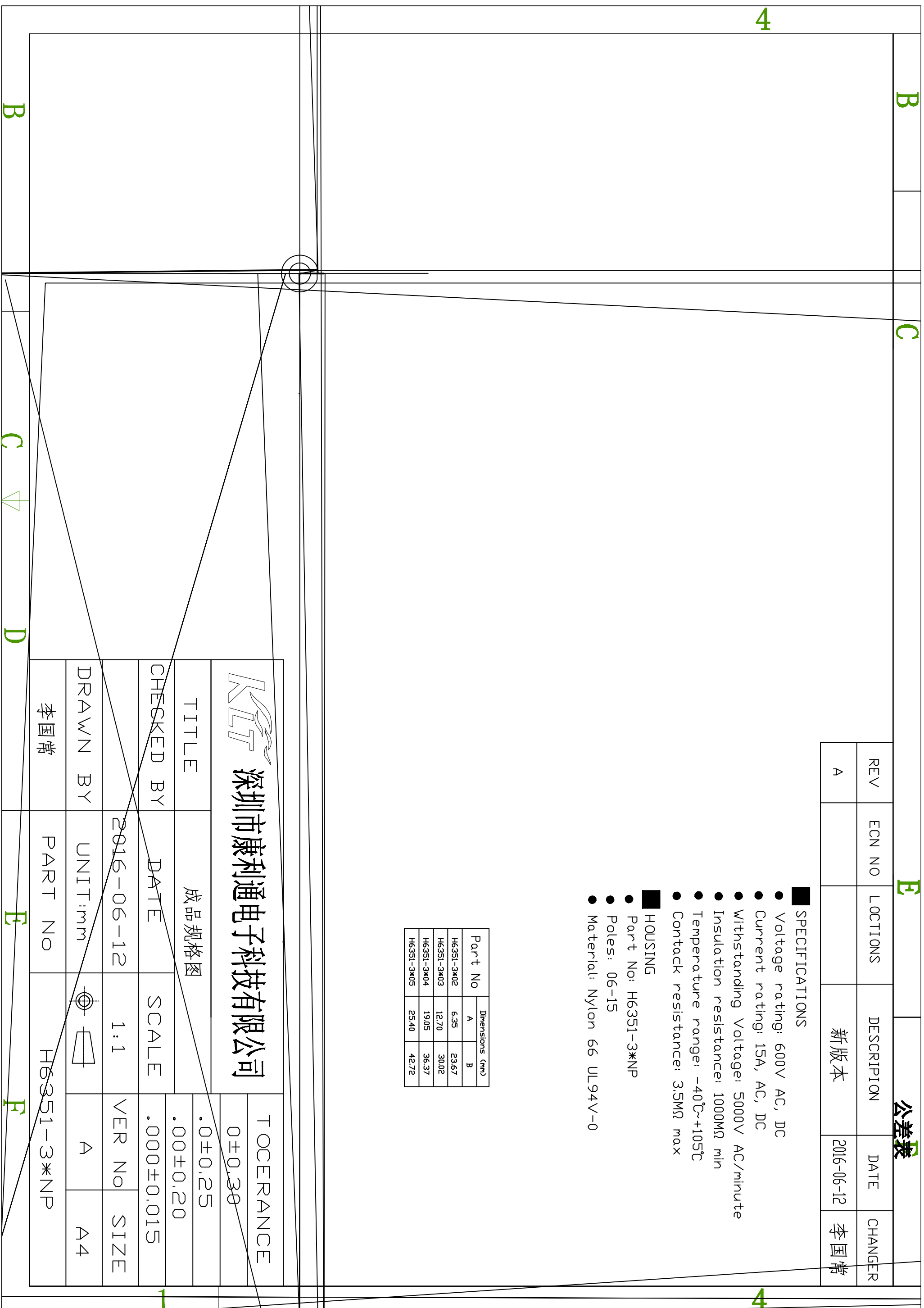
- Voltage rating: 600V AC, DC
- Current rating: 15A, AC, DC
- Withstanding Voltage: 5000V AC/minute
- Insulation resistance: 1000MΩ min
- Temperature range: -40℃~+105℃
- Contact resistance: 3.5MΩ max

■ HOUSING

- Part No: H6351-3*NP
- Poles: 06-15
- Material: Nylon 66 UL94V-0

Part No	Dimensions (mm)	
	A	B
H6351-3*02	6.35	23.67
H6351-3*03	12.70	30.02
H6351-3*04	19.05	36.37
H6351-3*05	25.40	42.72

 深圳市康利通电子科技有限公司		TOLERANCE	
TITLE	成品规格图	0±0.30	
CHECKED BY	DATE	SCALE	.00±0.25
	2016-06-12	1:1	.000±0.015
DRAWN BY	UNIT:mm		VER No
李国常	PART NO	H6351-3*NP	SIZE
			A A4



B

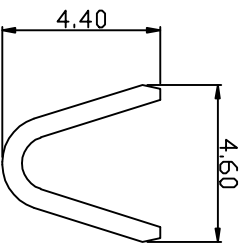
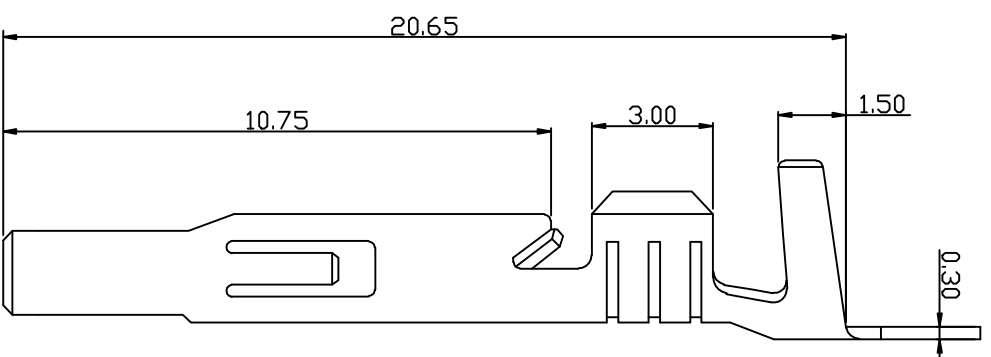
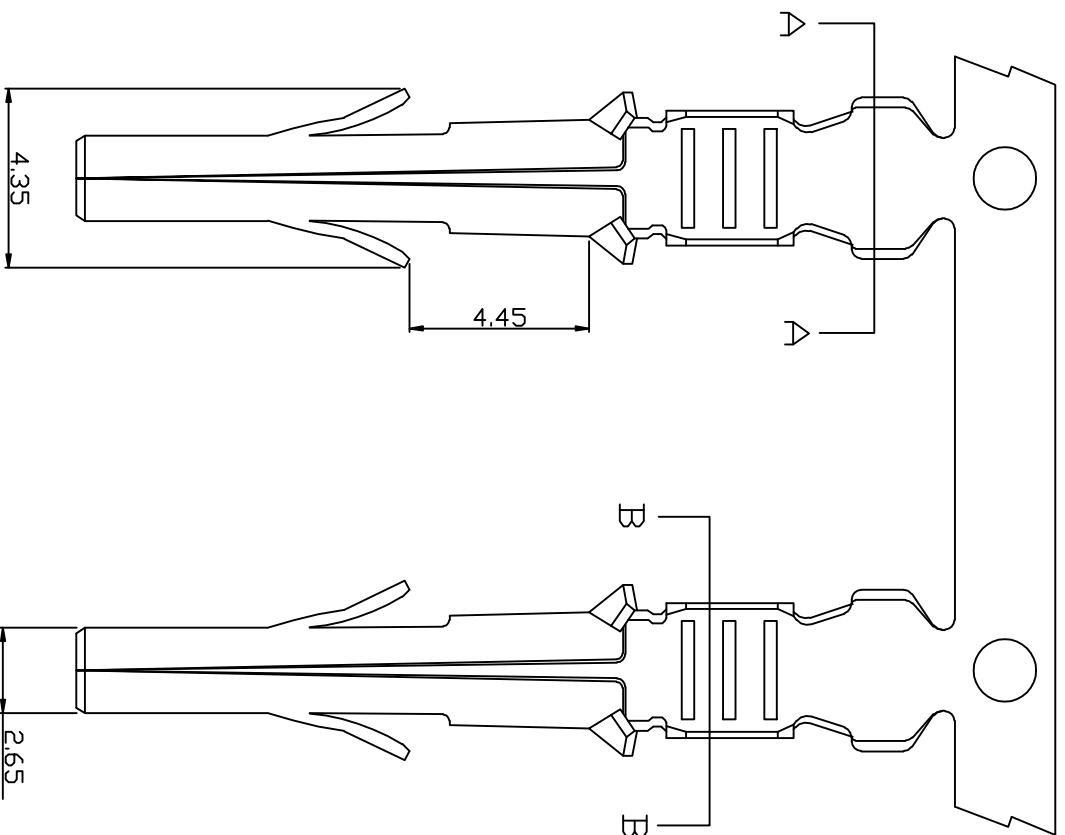
C

E

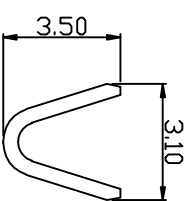
公差表

REV	ECN NO	LOCATIONS	DESCRIPTION	DATE	CHANGER
A			新版本	2016-06-12	李国常

4



SEC: A-A



SEC: B-B

KLT 深圳市康利通电子科技有限公司

TITLE

成品规格图

TO CERANCE

0±0.30

.0±0.25

.00±0.20

.000±0.015

CHECKED BY	DATE	SCALE	VER No	SIZE
李国常	2016-06-12	1:1	A	A4

DRAWN BY	UNIT:mm	PART No
李国常	mm	T6352BT

B

C

D

E

F

1

4