

B

C

E

公差表

REV	ECN NO	LOCATIONS	DESCRIPTION	DATE	CHANGER
A					

4

SPECIFICATIONS
 Voltage rating: 50V AC, DC
 Current rating: 1A, AC, DC
 Withstanding Voltage: 1000V AC/minute
 Insulation res

4

B

C

D

E

F

1

B

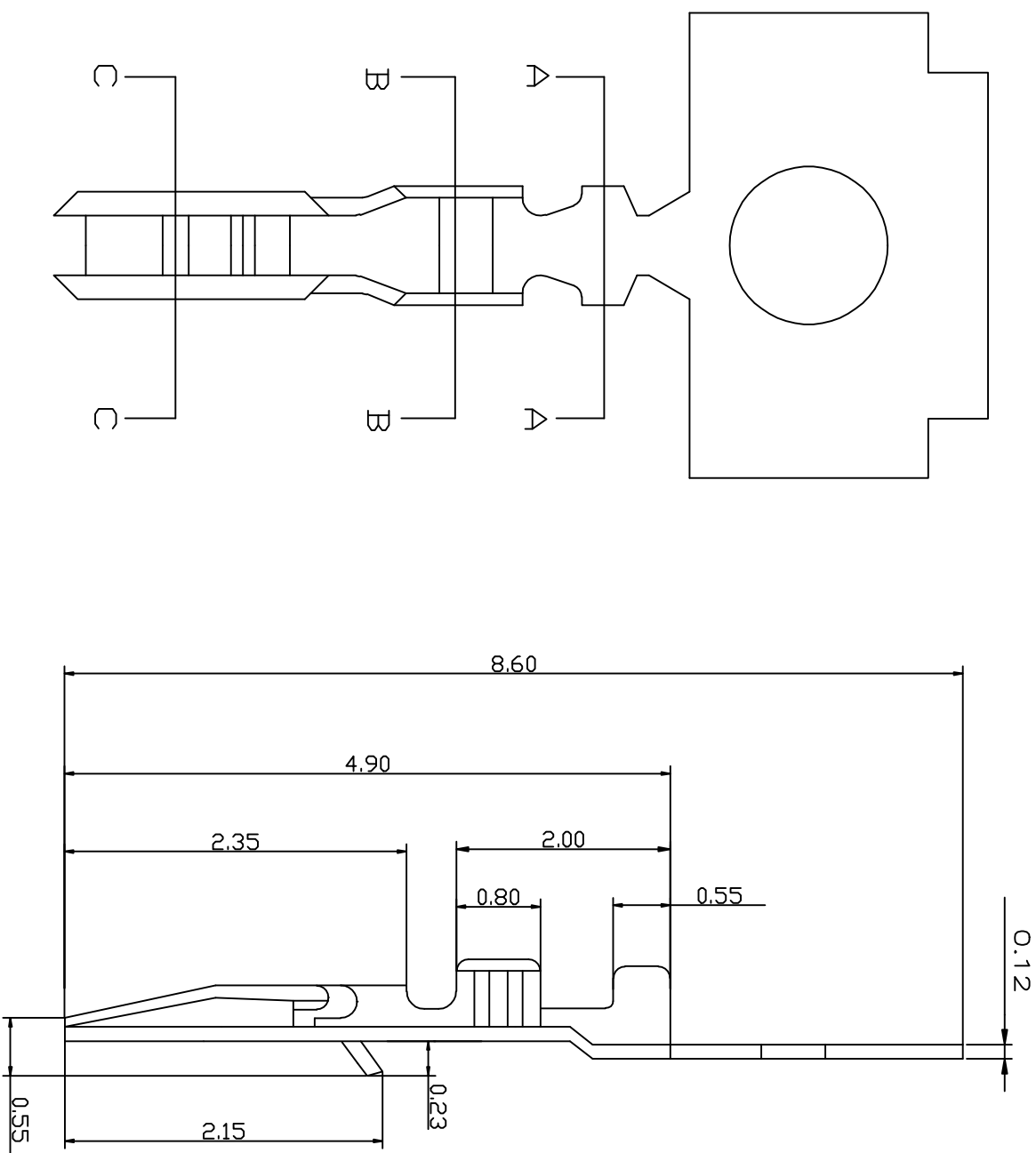
C

E

公差表

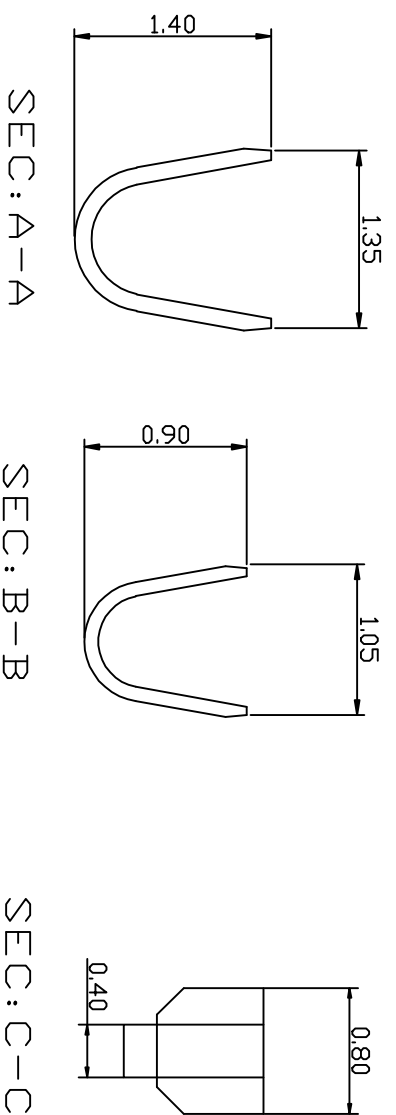
REV	ECN NO	LOCATIONS	DESCRIPTION	DATE	CHANGER
A			新版本	2016-04-11	李国常

4



- SPECIFICATIONS**
- Voltage rating: 50V AC,DC
 - Current rating: 1A, AC, DC
 - Withstanding Voltage: 500V AC/minute
 - Insulation resistance: 100MΩ min
 - Temperature range: -40℃~+85℃
 - Contact resistance: 20MΩ max

- TERMINAL**
- Part No: T1009PG
 - Applicable wire: AWG#28-#32
 - Material: Phosphor Bronze
 - Finish: Gold-flash



KLIT 深圳市康利通电子科技有限公司

成品规格图

TOCERANCE

0±0.30

.0±0.25

.00±0.20

.000±0.015

VER No SIZE

A A4

TITLE

CHECKED BY

DATE 2016-04-11

DRAWN BY

李国常

成品规格图

SCALE 1:1

UNIT:mm

PART No

T1009PG

B

C

D

E

F

1

4

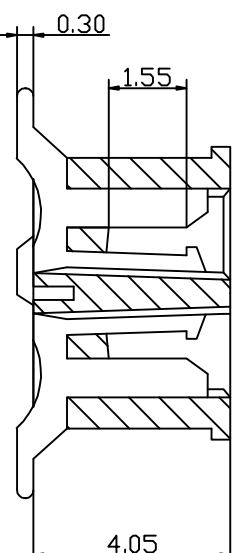
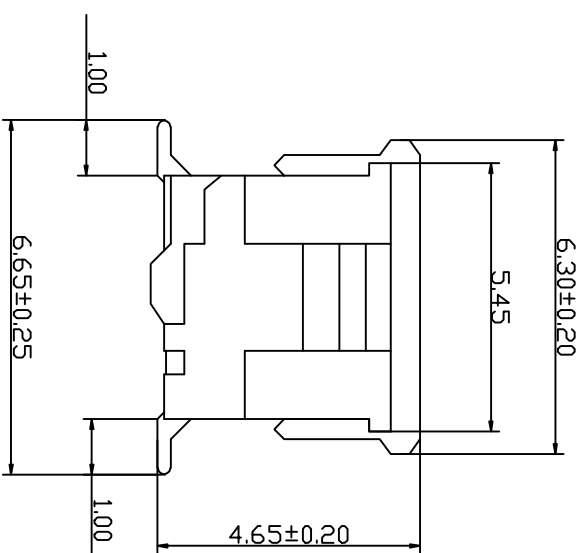
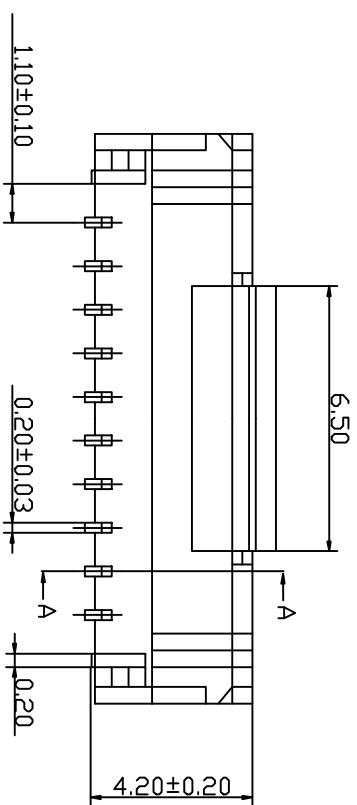
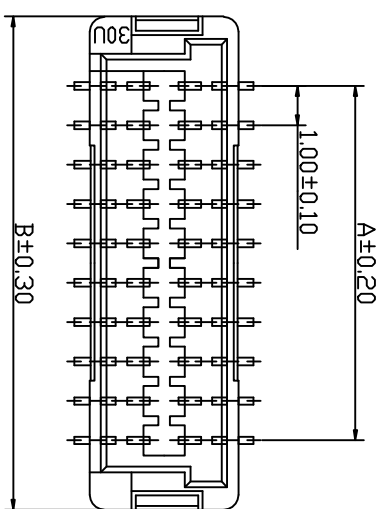
B

C

E

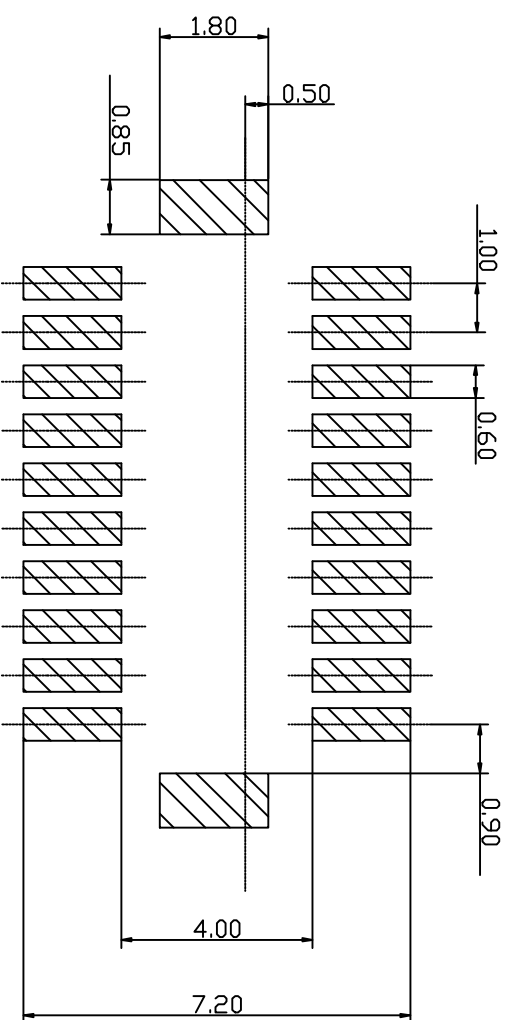
公差表

REV	ECN NO	LOCATIONS	DESCRIPTION	DATE	CHANGER
A			新版本	2016-04-11	李国常



SBC: A-A

Part NO	Dimensions (mm)	
	A	B
W1009SV-2*10	9.00	13.00
W1009SV-2*15	14.00	18.00
W1009SV-2*20	19.00	23.00
W1009SV-2*25	24.00	28.00



P.C.B LAYOUT

KLT 深圳市康利通电子科技有限公司

成品规格图

TOLERANCE

0±0.30

.0±0.25

.00±0.20

.000±0.015

1

TITLE	成品规格图		TOLERANCE	
CHECKED BY	DATE	SCALE	VER No	SIZE
DRAWN BY	UNIT:mm	1:1	A	A4
PART NO	W1009SV-2*NP			

李国常

2016-04-11

1:1

W1009SV-2*NP

4

4

B

C

D

E

F