

B

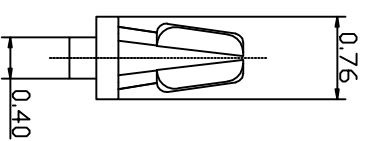
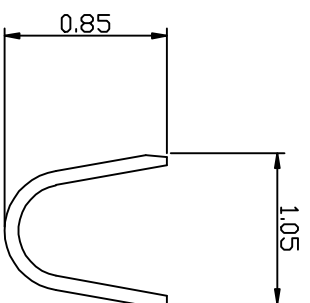
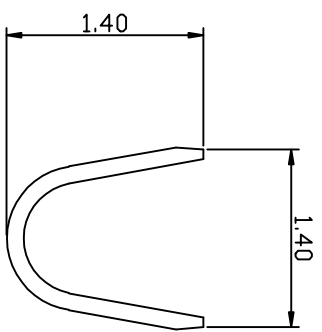
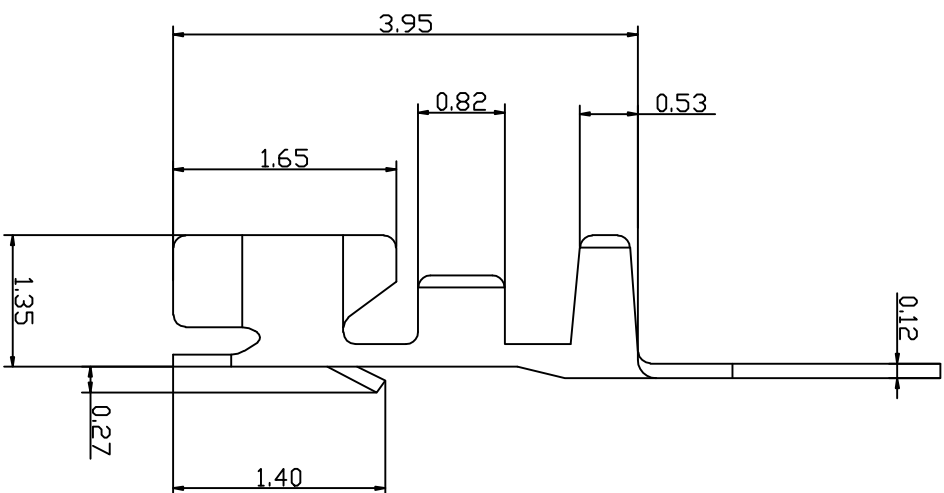
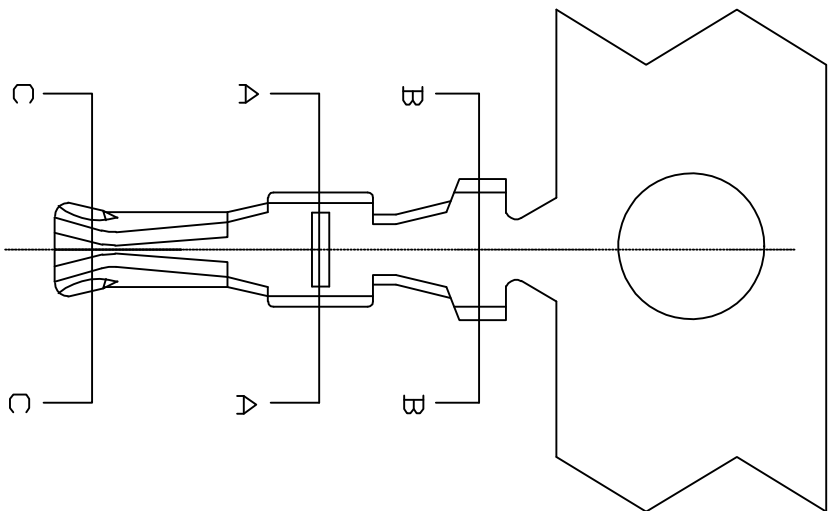
C

E

公差表

REV	ECN NO	LOCATIONS	DESCRIPTION	DATE	CHANGER
A			新版本	2016-04-16	李国常

4



SEC:A-A

SEC:B-B

SEC:C-C

KLT 深圳市康利通电子科技有限公司

成品规格图

Tolerance

0±0.30

.0±0.25

.00±0.20

.000±0.015

TITLE	DATE	SCALE	VER No	SIZE
CHECKED BY	2016-04-16	1:1		
DRAWN BY	UNIT:mm		A	A4
李国常	PART No		T1001PT	

B

C

D

E

F

4

1

B

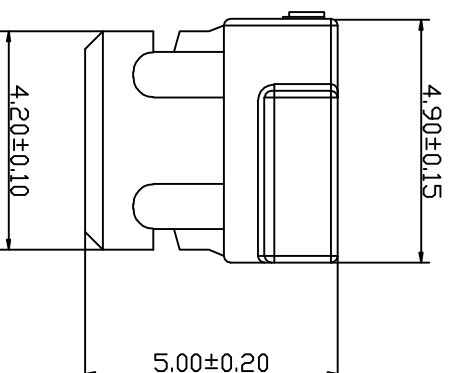
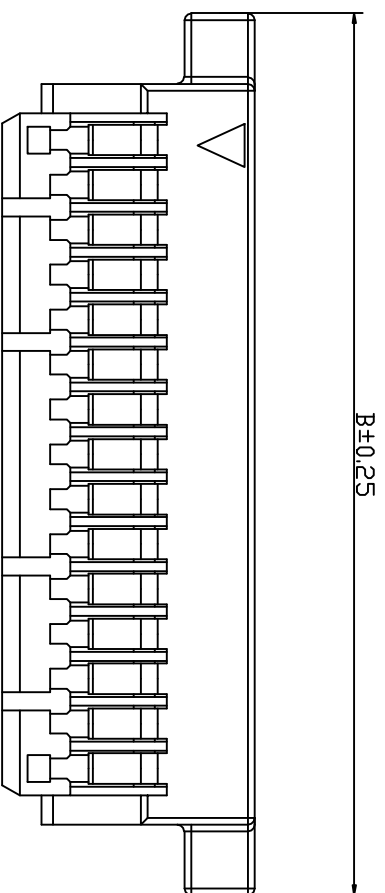
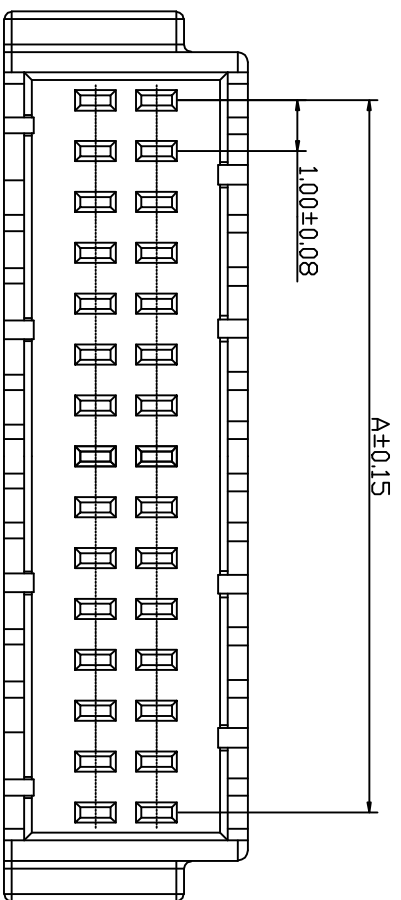
C

E

公差表

REV	ECN NO	LOCATIONS	DESCRIPTION	DATE	CHANGER
A			新版本	2016-04-16	李国常

4



Part No	Dimensions (mm)	
	A	B
H1001-2*05	4.00	8.00
H1001-2*06	5.00	9.00
H1001-2*08	7.00	11.00
H1001-2*10	9.00	13.00
H1001-2*15	14.00	18.00
H1001-2*20	19.00	23.00
H1001-2*25	24.00	28.00

- SPECIFICATIONS**
- Voltage rating: 50V AC, DC
 - Current rating: 1A, AC, DC
 - Withstanding Voltage: 500V AC/minute
 - Insulation resistance: 100MΩ min
 - Temperature range: -40℃~+85℃
 - Contact resistance: 20MΩ max
- HOUSING**
- Part No: H1001-2*NP
 - Poles: 10-50
 - Material: Nylon 46 UL94V-0

4

KLT 深圳市康利通电子科技有限公司

成品规格图

TOLERANCE

0±0.30

.0±0.25

.00±0.20

.000±0.015

1

TITLE	成品规格图		TOLERANCE	
CHECKED BY	DATE	SCALE	VER No	SIZE
	2016-04-16	1:1	A	A4
DRAWN BY	UNIT:mm			
李国常	PART No	H1001-2*NP		

B

C

D

E

F