



1

4

2000

1000

1000

2000

B

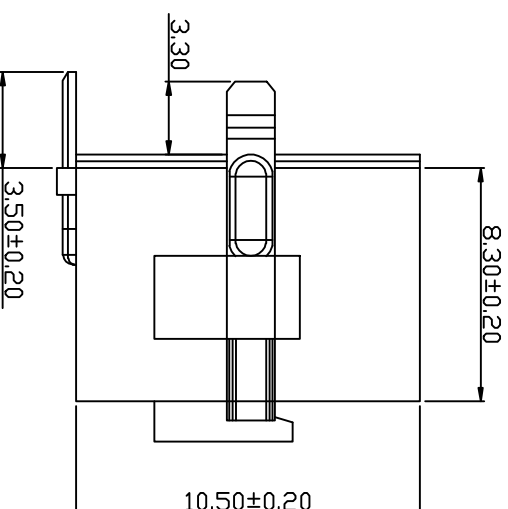
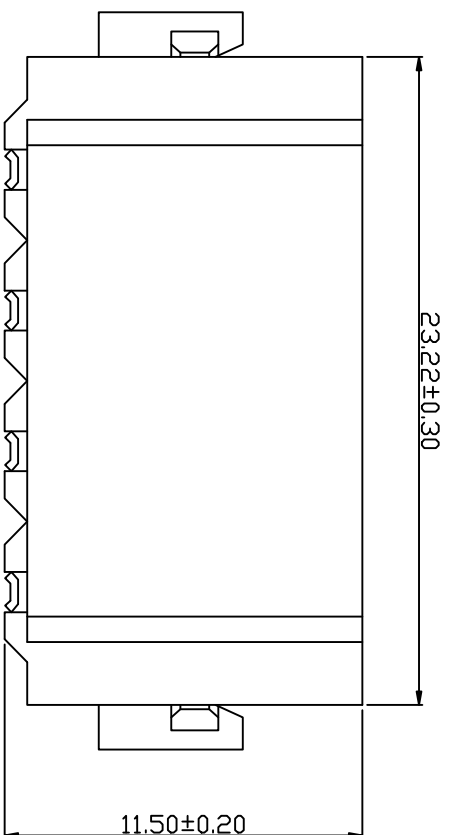
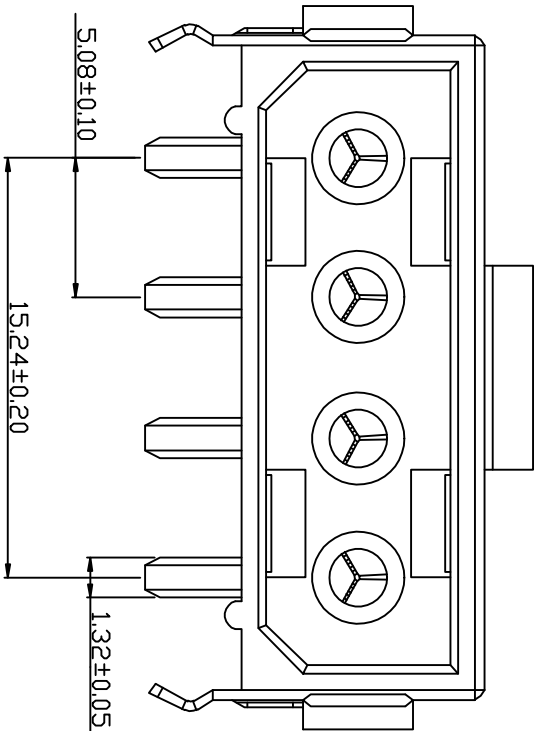
C

E

公差表

REV	ECN NO	LOCATIONS	DESCRIPTION	DATE	CHANGER
A			新版本	2016-06-08	李国常

4



- SPECIFICATIONS**
- Voltage rating: 250V AC, DC
 - Current rating: 10A, AC, DC
 - Withstanding Voltage: 1500V AC/minute
 - Insulation resistance: 1000MΩ min
 - Temperature range: -40℃~+85℃
 - Contact resistance: 10MΩ max
- WAFER**
- Part No: W5082RT-4P
 - Material: Nylon 66 UL94V-2
 - Pin Material: Brass /Tin-plated

4

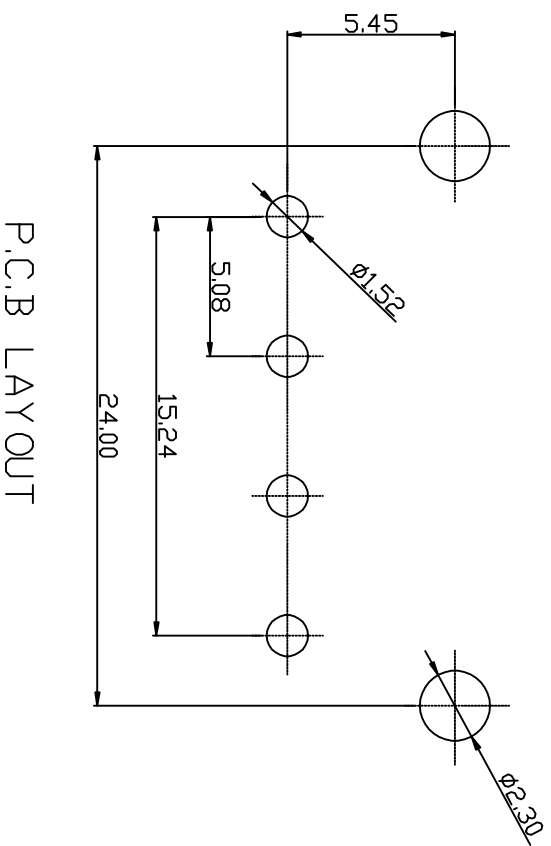
B

C

D

E

F



P.C.B LAYOUT

KLT 深圳市康利通电子科技有限公司

成品规格图

TOCERANCE

0±0.30

.0±0.25

.00±0.20

.000±0.015

TITLE	DATE	SCALE	VER No	SIZE
CHECKED BY	2016-06-08	1:1		
DRAWN BY	UNIT:mm		A	A4
PART No	W5082RT-4P			

李国常

PART No

W5082RT-4P

1